

Needle Valves CMM250 Series and CFF250 Series

Application

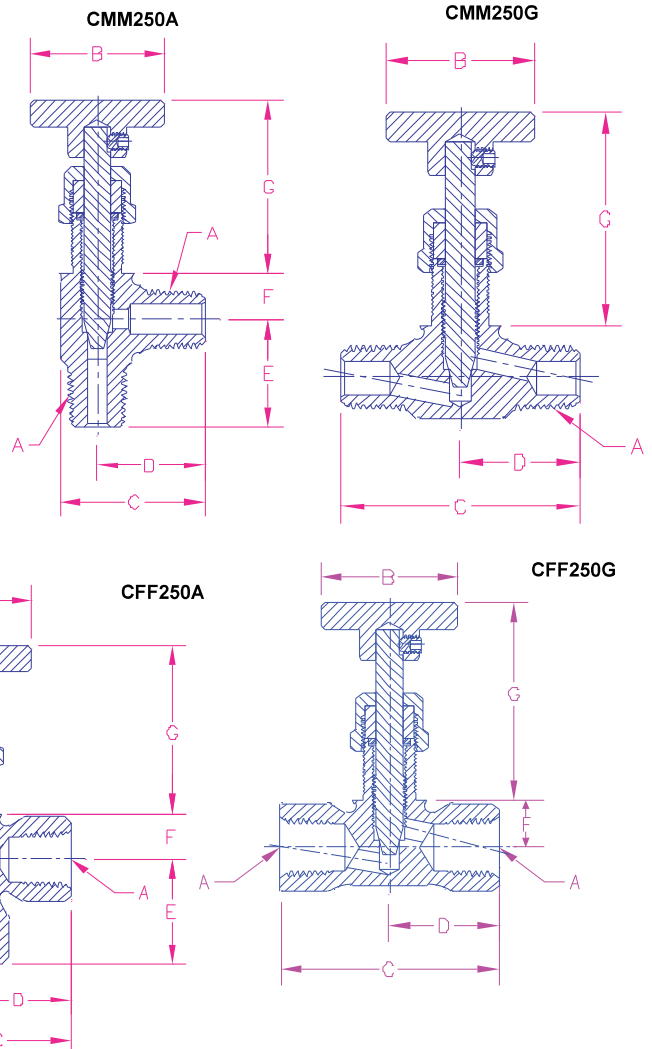
Ideal for use as a gauge isolation valve or applications requiring accurate throttling of pressure or in bulk vessel gauging lines .

Features

- Compact design provides easy installation.
- Fine stem threading and long taper allow precise metering and leak-free shut-off.
- Internal stop prevents the stem from being accidentally unscrewed from the body.
- Rugged forged brass bodies withstand higher pressures.
- Unbreakable brass handwheel.
- Valves come equipped for panel mounting.
- Working temperature range is -40°F to +165°F (-40°C to +74°C).
- Maximum operating pressure: 2000 psig air (137.9 Bar).
- Cleaned for oxygen service per CGA G-4.1.
- Female ports available - consult factory.

Materials

Body	ASTM B283 Brass
Stem	Brass
Knob	Brass
Bonnet Nut.....	Brass
Panel Mount Nut.....	Brass
Set Screw	Steel
Stem Packing	PTFE with Brass Gland



Ordering Information

Part Number	A (NPT)	B (In.)	C (In.)	D (In.)	E (In.)	F (In.)	G (In.) Open	G (In.) Closed	Cv
CMM250A	1/4	1 1/4	1 11/32	1	1	7/16	2 5/32	1 19/32	.7
CMM250G	1/4	1 1/4	2		7/16	2 3/8	1 13/16	.5	
CFF250A	1/4	1 1/4	1 13/32		1	7/16	2 5/32	1 19/32	.7
CFF250G	1/4	1 1/4	2		7/16	2 3/8	1 13/16	.5	